

“Non-Removable” Adhesive Installation

If Nixalite’s mounting hardware cannot be used, a clip and adhesive installation can be done. The following procedures describe the "non-removable" version of this fastening method. Non-removable means it is unlikely that the bird control strip could be removed from the surface without damaging the strip or the surface. **If you would want to use a removable adhesive fastening method, see the Glue Clip & Adhesive Installation Instructions.**

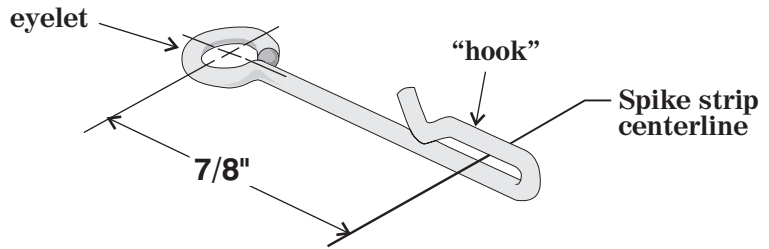
It is important that the surface preparation steps recommended by the adhesive manufacturer are read, understood and followed. Refer to the manufacturer’s notations on possible surface restrictions.

Mounting Hardware Spacing

Nixalite’s mounting clips are supplied with **Nixalite Premium Barrier Models** but must be purchased separately for the **E-Spike Economy Spike Models**. Adhesive is an accessory and sold separately.

To ensure the proper number of clips are used, refer to the Hardware Spacing Table provided. Use the spacing guidelines to position the clips along the marked spike strip locations.

For most applications the **hook** end of the clip points to the closest outside edge of the surface. There are exceptions - contact Nixalite if you have any questions about your installation.



Hardware Spacing Table

Strip length	Mounting Hardware Spacing
48"	6 units - one at each end, four spaced evenly between
24"	3 units - one at each end, one in middle
16"	2 units - one at each end.
12"	2 units - one at each end.

Never use less than 2 hardware units per strip, no matter how short the strip may be.

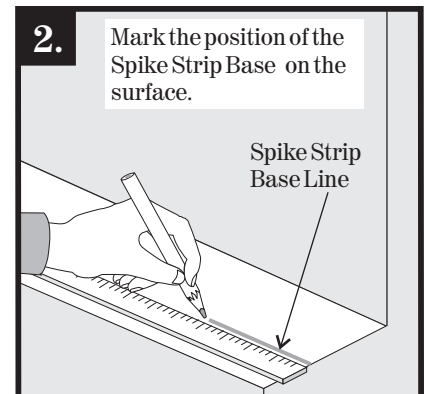
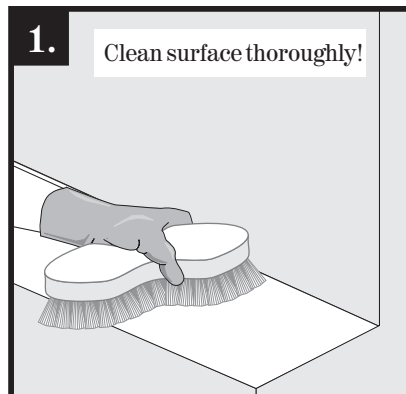
Installing Nixalite bird spikes with Clips & Adhesive (non-removable)

1. Clean thoroughly!

Make sure the installation surface is clean, dry and free of oil, grease, dust or dirt. Follow the adhesive manufacturer’s recommendations for surface preparation.

2. Mark for bird spikes.

With a straight edge, mark the position of the bird spike base on the installation surface. If you are not sure where this will be, contact Nixalite for assistance.



- continued on back -

Questions About Your Installation?

Ph:800-624-1189 or 309-755-8771 Fax:800-624-1196 or 309-755-0077

E-mail:planning@nixalite.com Website:www.nixalite.com

3. Mark the Mounting Clip line.

From the spike strip base line, measure back (in this example) 7/8" and draw a line parallel with the spike strip base line.

4. Determine clip spacing.

Use the Hardware Spacing Table to find the dimensional spacing between clips. Along the line for the clips, mark the installation surface as indicated by the table.

5. Apply adhesive.

Apply adhesive to where the mounting clips will be positioned.

6. Push clips into adhesive.

Push the clip into the surface adhesive, then apply more adhesive over the eyelet of the clip. Do not get adhesive in the hook end of the clip.

7. Let adhesive cure.

Allow the adhesive to FULLY CURE before proceeding. Refer to the adhesive manufacturer's recommended cure times.

8. Apply adhesive again.

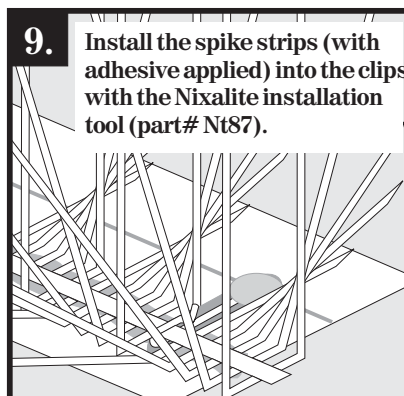
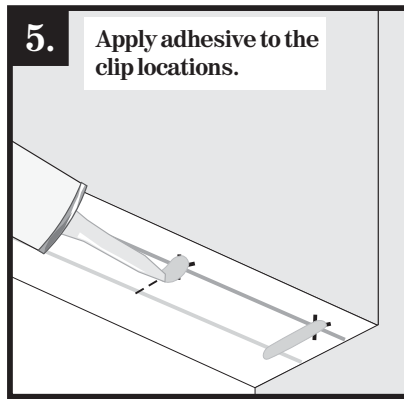
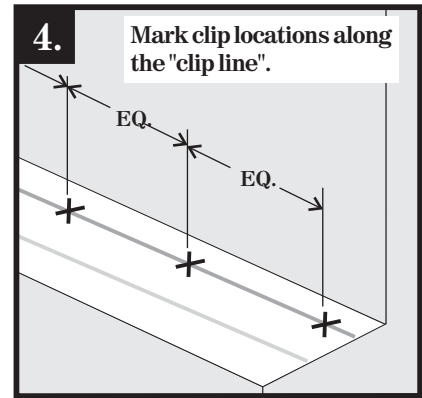
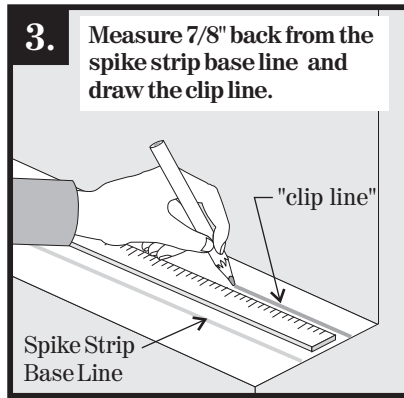
After the first adhesive application cures completely, apply a bead of adhesive on the surface where the spike strips will go, and on the back of the spike strips themselves. Let this "set-up" between 5 to 10 minutes.

9. Install spike strips.

Slip the spike strip with adhesive into the mounting clips. This completes the "Non-removable" clip & adhesive method of installation.

REMEMBER:

Always follow the adhesive manufacturer's instructions for surface preparation, application steps and suggested cure times.



A quick note about adhesive installations

Nixalite recommends using the mechanical fasteners whenever and wherever possible. This is because, sooner or later, all adhesives will fail. Nixalite's mounting hardware is much more reliable and longer lasting.



Nixalite[®] of America Inc.
 1025 16th Avenue East Moline, IL. 61244
 Experts In Architectural Bird Control Since 1950

Phone: 800.624.1189 or 309.755.8771
 Fax: 800.624.1196 or 309.755.0077
 Email: birdcontrol@nixalite.com
 Web: www.nixalite.com



Where the World Shops for Humane Bird and Animal Control.