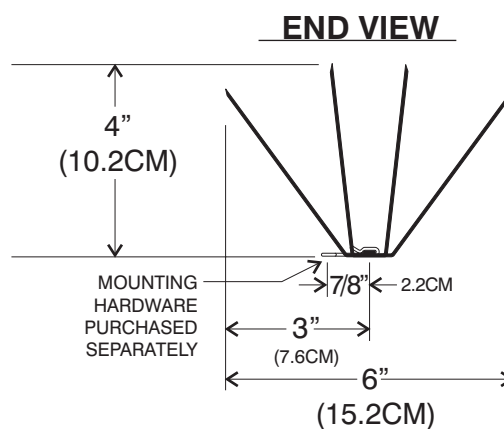
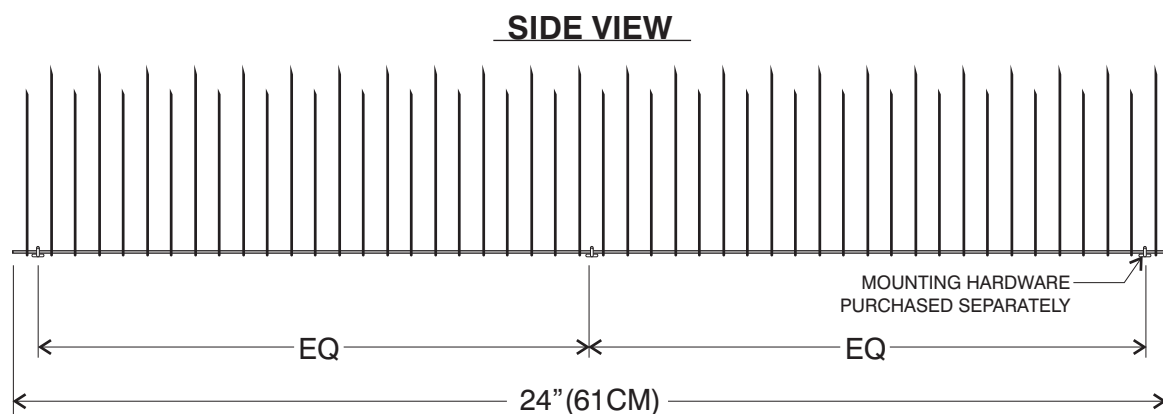
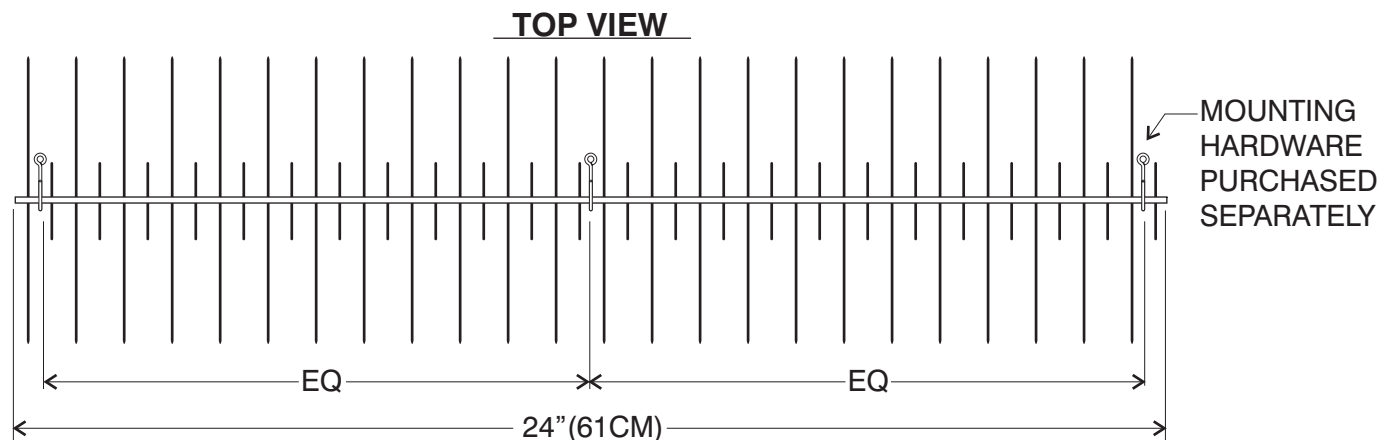


NIXALITE® OF AMERICA INC
 1025 16th Avenue, East Moline, IL 61244
 P 800.624.1189 WEB www.nixalite.com
 F 800.624.1196 EMAIL birdcontrol@nixalite.com

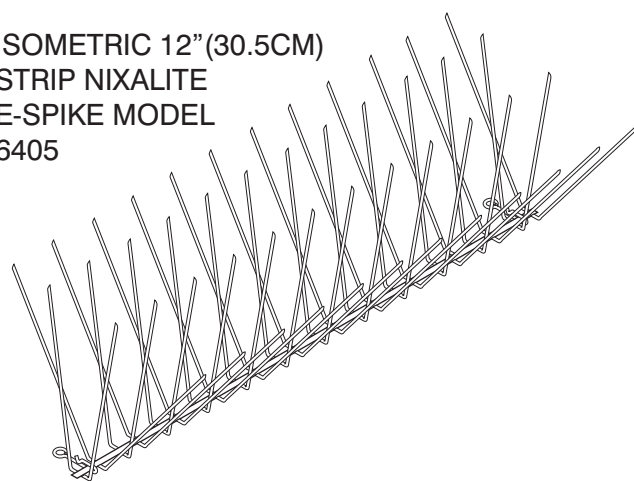
Copyright© 2010 by Nixalite® of America Inc, East Moline, IL 61244 - All rights reserved.
 Nixalite® is a fully registered trademark of Nixalite® of America Inc.

NIXALITE® E-SPIKE MODEL 6405

SCALE: 3"=1'0" UNLESS OTHERWISE NOTED



ISOMETRIC 12" (30.5CM)
 STRIP NIXALITE
 E-SPIKE MODEL
 6405

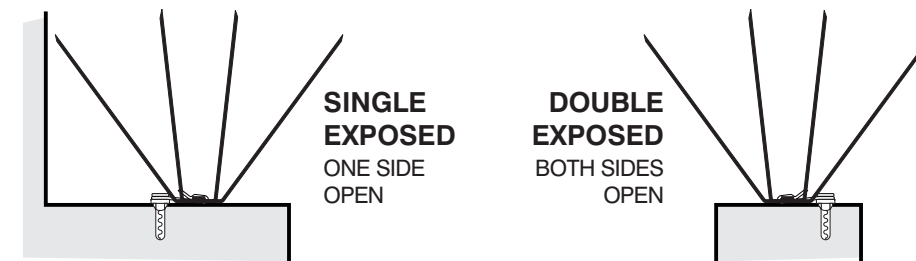


GENERAL NOTES

1. ALL E-SPIKE DETERRENT SPIKES 100% HIGH GRADE STAINLESS STEEL WIRE AND STRIP - NO PLASTIC.
2. MODEL 6405; 48 POINTS/12" (30.5CM) AND COMES IN 2' (61CM) AND 4' (122CM) STRIP LENGTHS.
3. MADE IN THE USA.
4. MOUNTING HARDWARE PURCHASED SEPARATELY.
5. ALL E-SPIKE MODELS HAVE 10 YEAR WARRANTY.
6. DETERRENT FOR PIGEONS & SEAGULLS WHERE THESE SPECIES ARE IN LIGHT TO MODERATE CONCENTRATIONS.
7. ONLINE 3-PART SPECS IN PDF/DOC/TXT FORMATS:
www.nixalite.com/architectinfocenter.aspx
 OR CONTACT NIXALITE AT 800.624.1189

SURFACE DEPTH SPECIFICATION CHARTS

THE SURFACE DEPTH AND LENGTH DETERMINES THE QUANTITY OF NIXALITE E-SPIKE REQUIRED TO PROTECT THAT SURFACE. DETERMINE THE SURFACE EXPOSURE (SINGLE OR DOUBLE EXPOSED) AND USE THE CORRESPONDING TABLE



Single Exposed		
Surface Depth	Rows	
Inches	Centimeters	Required
0 - 3	0 - 7.6	1/2*
3 - 7	7.6 - 17.8	1
7 - 14	17.8 - 35.6	2
14 - 21	35.6 - 53.3	3
21 - 28	53.3 - 71.1	4
28 - 35	71.1 - 88.9	5
35 - 42	88.9 - 106.7	6

Double Exposed		
Surface Depth	Rows	
Inches	Centimeters	Required
0 - 6	0 - 15.2	1
6 - 13	15.2 - 33.0	2
13 - 20	33.0 - 50.8	3
20 - 27	50.8 - 68.6	4
27 - 34	68.6 - 86.4	5
34 - 41	86.4 - 104.1	6
41 - 48	104.1 - 121.9	7

*1/2 = E-Spike Model 3405

*1/2 = E-Spike Model 3405

* 1/2 row indicates the use of Model 3405 Half-Row. Whole number indicate the use of Model 6405 Full Row. **NOTE:** charts DO NOT apply to any other bird spike Models.

Download the E-Spike brochure from www.nixalite.com or contact Nixalite for a free copy.

NIXALITE E-SPIKE SPACING GUIDELINES

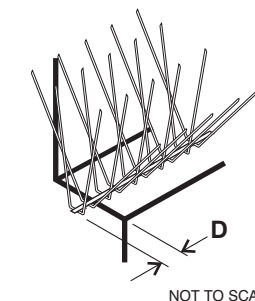
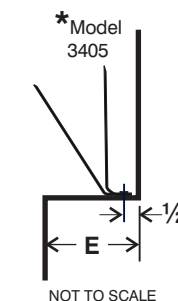
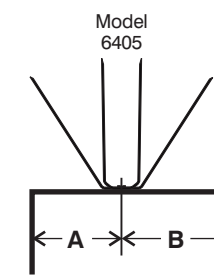
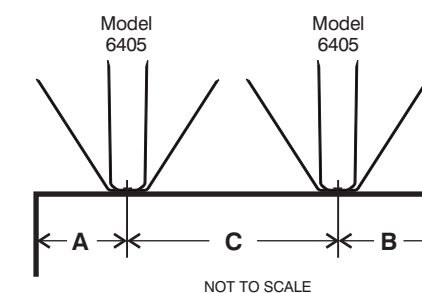
SPACING GUIDELINES PROVIDE THE MAXIMUM AND MINIMUM DIMENSIONAL SPACING FOR NIXALITE E-SPIKE MODELS 6405 AND 3405.

Model 6405

- A** - 3" (7.6cm) max. to edges
- B** - 4" (10.2cm) max. to walls
- C** - 7" (17.8cm) max. between
- D** - 1/2" (1.3cm) min over ends

Model 3405*

- E** - 3" (7.6cm) max. coverage



For more information on Nixalite's E-Spike Economy Bird Spikes, go to:
www.nixalite.com/EspikeModels.aspx or contact Nixalite at 800.624.1189

PLANNING AND ESTIMATING - PLANNING AND ESTIMATING - PLANNING AND ESTIMATING - PLANNING AND ESTIMATING - PLANNING AND ESTIMATING